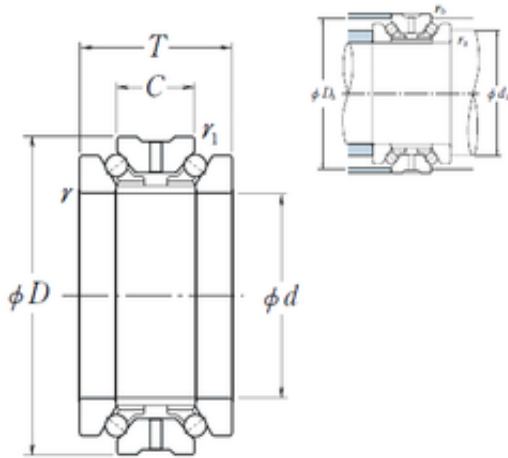




Linna.

NSK 105TAC20X+L but é es à billes



Bearing No. 105TAC20X+L

Size	105x160x66 mm
Bore Diameter	105 mm
Outer Diameter	160 mm
Width	66 mm
d	105 mm
D	160 mm
T	66 mm
C	33 mm
Angle (°)	60 °
r min.	2 mm
r1 min.	1 mm
Da	150 mm
ra max.	2 mm
rb max.	1 mm
da	127 mm
Weight	4,1 Kg
Basic dynamic load rating (C)	91,5 kN
Basic static load rating (C0)	305 kN
(Grease) Lubrication Speed	3400 r/min

105TAC20X+L Bearing 2D drawings and 3D CAD models