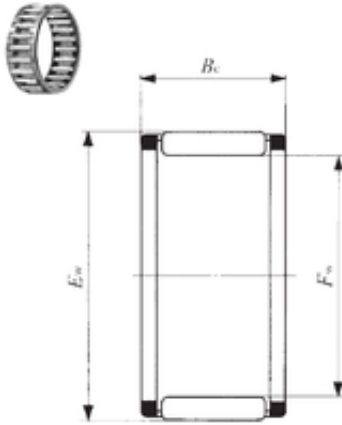




Linna.

IKO KT 202417 roulements à aiguilles



Bearing No. KT 202417

Bore Diameter	20 mm
Outer Diameter	24 mm
Fw	20 mm
Ew	24 mm
Bc	17 mm
Weight	0,0106 Kg
Basic dynamic load rating (C)	12,6 kN
Basic static load rating (C0)	19,3 kN

KT 202417 Bearing 2D drawings and 3D CAD models