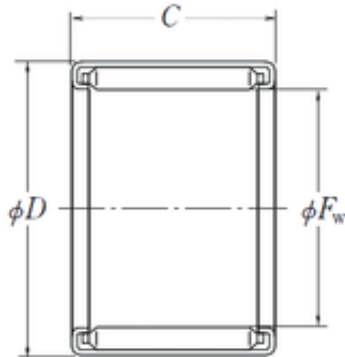




Linna.

NSK F-2816 roulements à aiguilles



Bearing No. F-2816

Size	28x35x16 mm
Bore Diameter	28 mm
Outer Diameter	35 mm
Width	16 mm
Fw	28 mm
D	35 mm
C	16 mm
Weight	0,035 Kg
Basic dynamic load rating (C)	21,3 kN
(Grease) Lubrication Speed	2400 r/min
NB-DI	0
NA-DEX	33.353
hidYobi	F-2816
LangID	1
D_	35
NC-SLR	14.02
B_	16.5
n_yobi	FIR-222816
hidTable	ecat_NSDCNR
mass_k	35
d1	22
GRS rpm	2400
ra	0.3
NC-SLR1	0
C0	41.495
C1	16

F-2816 Bearing 2D drawings and 3D CAD models



Linna.

Prod_Type3	NRB_DC_F-MF_FC_OT
da	24
d	22
NC-RAC	0
Pmax	17900
N-SDM	0
yobi	F-2816
C1_C2	2.5
ND-Z	0
OIL rpm	4000
NC-DA	2.67
N-KBRG	8200
NC-KMS	36
B1	16.5