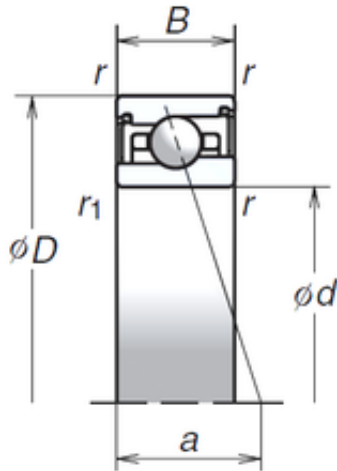




Linna.

70 mm x 100 mm x 19 mm NSK 70BER29SV1V
roulements à billes à contact oblique



Bearing No. 70BER29SV1V

Size	70x100x19 mm
Bore Diameter	70 mm
Outer Diameter	100 mm
Width	19 mm
d	70 mm
D	100 mm
B	19 mm
C	19 mm
Angle (°)	25 °
a	29,3 mm
r min.	1 mm
r1 min.	0,6 mm
Weight	0,381 Kg
Basic dynamic load rating (C)	20,4 kN
Basic static load rating (C0)	17,3 kN
(Grease) Lubrication Speed	14 200 r/min

70BER29SV1V Bearing 2D drawings and 3D CAD models