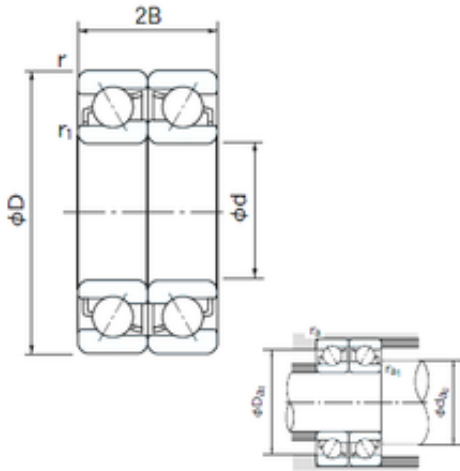




Linna.

130 mm x 280 mm x 58 mm NACHI 7326DF
roulements à billes à contact oblique

Bearing No. 7326DF



7326DF Bearing 2D drawings and 3D CAD models

Size	130x280x58 mm
Bore Diameter	130 mm
Outer Diameter	280 mm
Width	58 mm
d	130 mm
D	280 mm
B	58 mm
C	58 mm
Angle (°)	30 °
a	30.2 mm
r min.	4 mm
r1 min.	1.5 mm
2B	116 mm
da min.	139 mm
Da max.	271 mm
ra max.	1.5 mm
Weight	17.4 Kg
Basic dynamic load rating (C)	490 kN
Basic static load rating (C0)	660 kN
(Grease) Lubrication Speed	1700 r/min
Bore Type	Cylindrical Bore
Enclosure	Open
Configuration	Duplex
Bore Size	130 mm
Outside Diameter	280 mm



Linna.

Width	58 mm
Fillet Radius/Chamfer	4 mm
r1	1.5 mm
Dynamic Load Rating	490,000 N
Static Load Rating	660,000 N
Limiting Speed - Grease	1,700 rpm
Limiting Speed - Oil	2,200 rpm
da1 (min)	148 mm
da2 (min)	139 mm
Da1 (max)	262 mm
Da2 (max)	271 mm
ra (max)	3 mm
ra1 (max)	1.5 mm