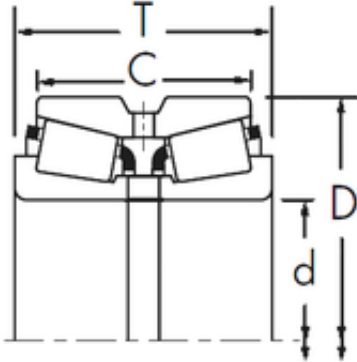




Linna.

Timken 94687/94114CD+X1S-94687
Roulements à rouleaux coniques



Bearing No. 94687/94114CD+X1S-94687

Size	174.625x288.925x142.875 mm
Bore Diameter	174,625 mm
Outer Diameter	288,925 mm
Width	142,875 mm
d	174,625 mm
D	288,925 mm
T	142,875 mm
C	111,125 mm
R	7 mm
r	1,5 mm

94687/94114CD+X1S-94687 Bearing 2D drawings and 3D CAD models