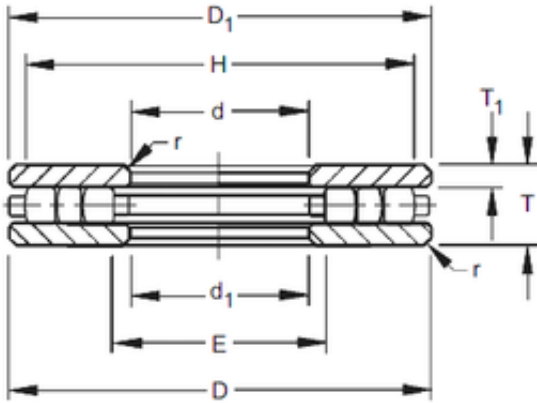




Linna.

Timken 60TP124 roulements à rouleaux de pouss é e

Bearing No. 60TP124



60TP124 Bearing 2D drawings and 3D CAD models

Size	152.4x228.6x50.8 mm
Bore Diameter	152,4 mm
Outer Diameter	228,6 mm
Width	50,8 mm
d	152,4 mm
D	228,6 mm
T	50,8 mm
r max	3,2 mm
T1	14,29 mm
d1	153,99 mm
D1	227,01 mm
E	163,5 mm
H	217,5 mm